



# TAD S9

(DE)

## Super Mini Component System



### Contents

PRODUCT CODE No.  
129 371 02

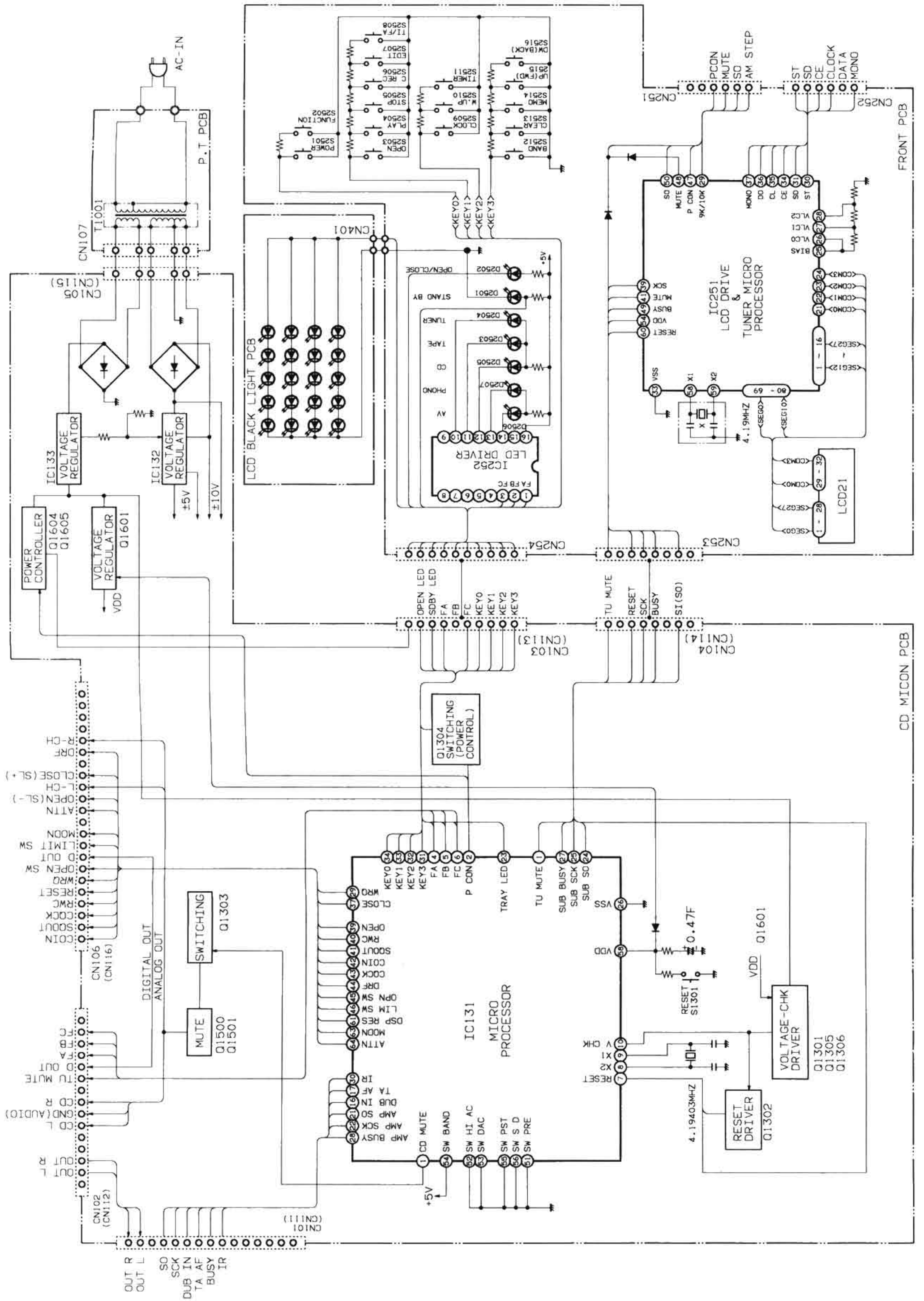
SPECIFICATION .....	1
SYSTEM CONNECTION .....	1
OPERATING THE RESET SWITCH .....	2
PARTS LIST(PACK & ACCESSORIES) .....	2
PARTS LIST(REMOCON) .....	2
<b>CD PLAYER / TUNER UNIT</b>	
DISASSEMBLY .....	3
TUNER ADJUSTMENT .....	5
LASER BEAM SAFETY PRECAUTION .....	6
CD MECHANISM REMOVAL .....	7
CD SERVICE MODE .....	11
CD ADJUSTMENT .....	14
EXPLODED VIEW(CABINET & CHASSIS) .....	16
PARTS LIST .....	17
EXPLODED VIEW(CD LOADING MECHANISM) .....	21
IC BLOCK DIAGRAM .....	22
LCD BLOCK DIAGRAM .....	29
CD VOLTAGE TABLE .....	30
TOOL OF REPAIRABLE .....	31
SCHEMATIC DIAGRAM(SYSCON & FRONT) .....	32
SCHEMATIC DIAGRAM(CD MAIN) .....	34
WIRING DIAGRAM(CD) .....	36
SCHEMATIC DIAGRAM(TUNER) .....	38
WIRING DIAGRAM(TUNER & FRONT) .....	40
BLOCK DIAGRAM(SYSCON & FRONT) .....	42
BLOCK DIAGRAM(CD MAIN) .....	43
SCHEMATIC DIAGRAM(FUNCTION SELECTOR) .....	44
BLOCK DIAGRAM(TUNER) .....	45
BLOCK DIAGRAM(FUNCTION SELECTOR) .....	45
CONNECTION DIAGRAM .....	46

<b>TAPE DECK / PRE-AMPLIFIER UNIT</b>	
DISASSEMBLY .....	48
DECK ADJUSTMENT .....	50
EXPLODED VIEW(CABINET & CHASSIS) .....	52
PARTS LIST .....	53
EXPLODED VIEW(LOADING MECHANISM) .....	57
EXPLODED VIEW(TAPE MECHANISM) .....	58
PARTS LIST(TAPE MECHANISM) .....	59
IC BLOCK DIAGRAM .....	60
LCD BLOCK DIAGRAM .....	65
TOOL OF REPAIRABLE .....	65
CONNECTION DIAGRAM .....	66
SCHEMATIC DIAGRAM(TAPE DECK AMP) .....	68
WIRING DIAGRAM(TAPE DECK AMP) .....	70
SCHEMATIC DIAGRAM(FRONT) .....	71
SCHEMATIC DIAGRAM(SYSCON) .....	72
WIRING DIAGRAM(SYSCON & FRONT) .....	74
SCHEMATIC DIAGRAM(PRE & MAIN AMP) .....	76
WIRING DIAGRAM(PRE & MAIN AMP) .....	78
<b>POWER-AMPLIFIER UNIT</b>	
DISASSEMBLY .....	80
EXPLODED VIEW(CABINET & CHASSIS) .....	82
PARTS LIST .....	83
SCHEMATIC DIAGRAM .....	84
WIRING DIAGRAM .....	86
IC BLOCK DIAGRAM .....	89

"Dolby" and the double-D symbol  are trademark of Dolby Laboratories Licensing Corporation. Dolby Noise Reduction system is manufactured under license from Dolby Laboratories Licensing Corporation.

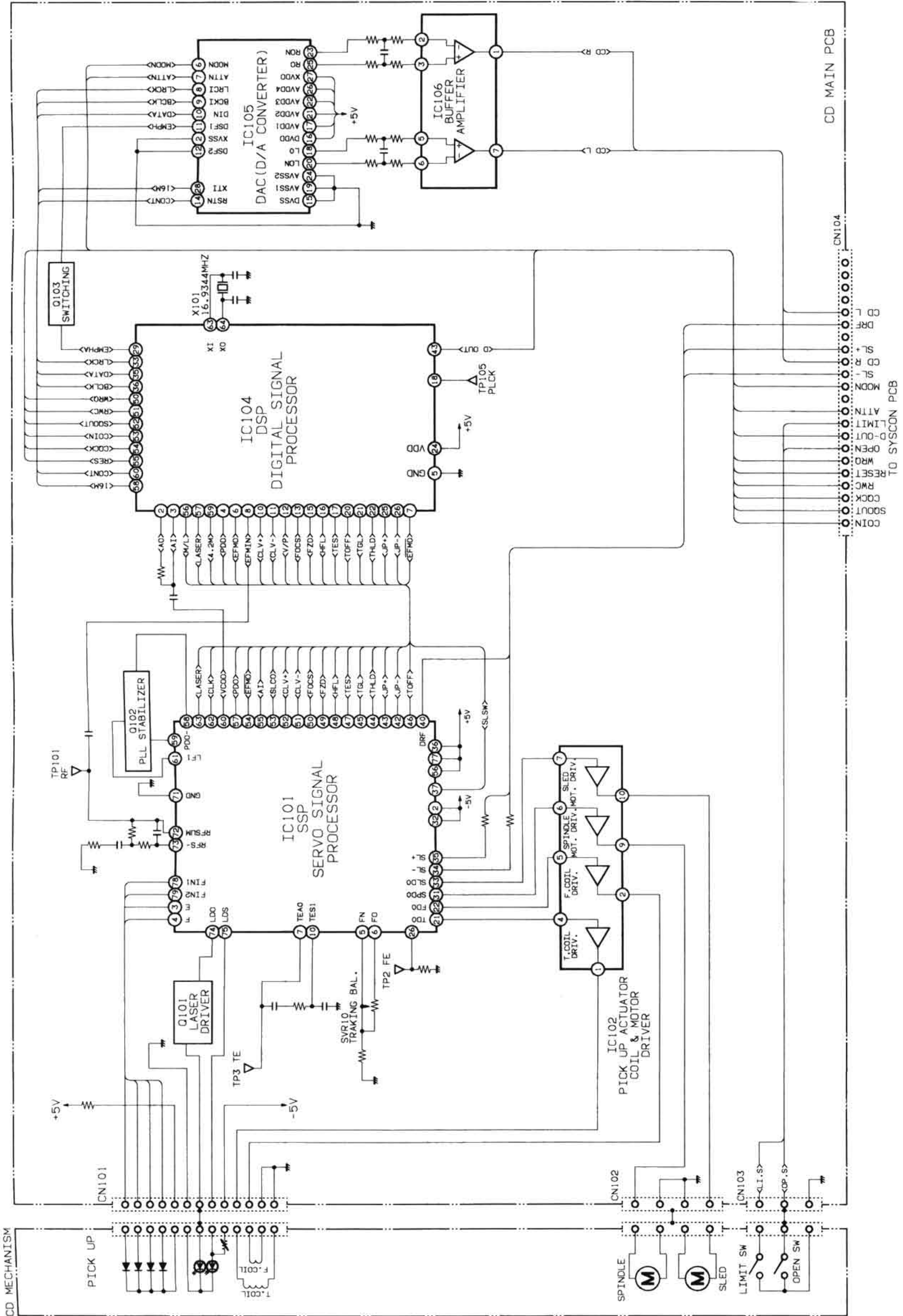


# BLOCK DIAGRAM (SYSCON & FRONT)



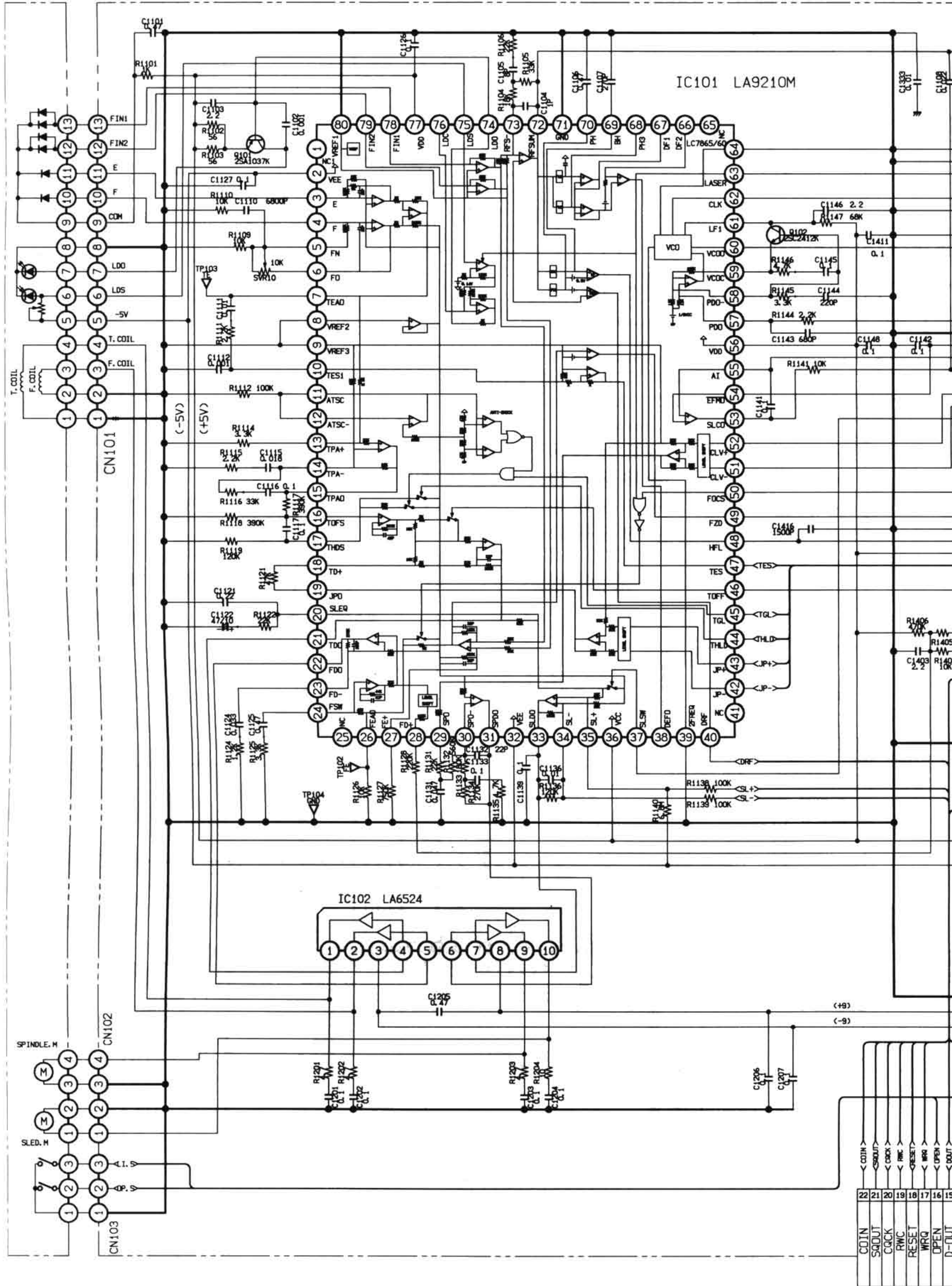


# BLOCK DIAGRAM (CD MAIN)

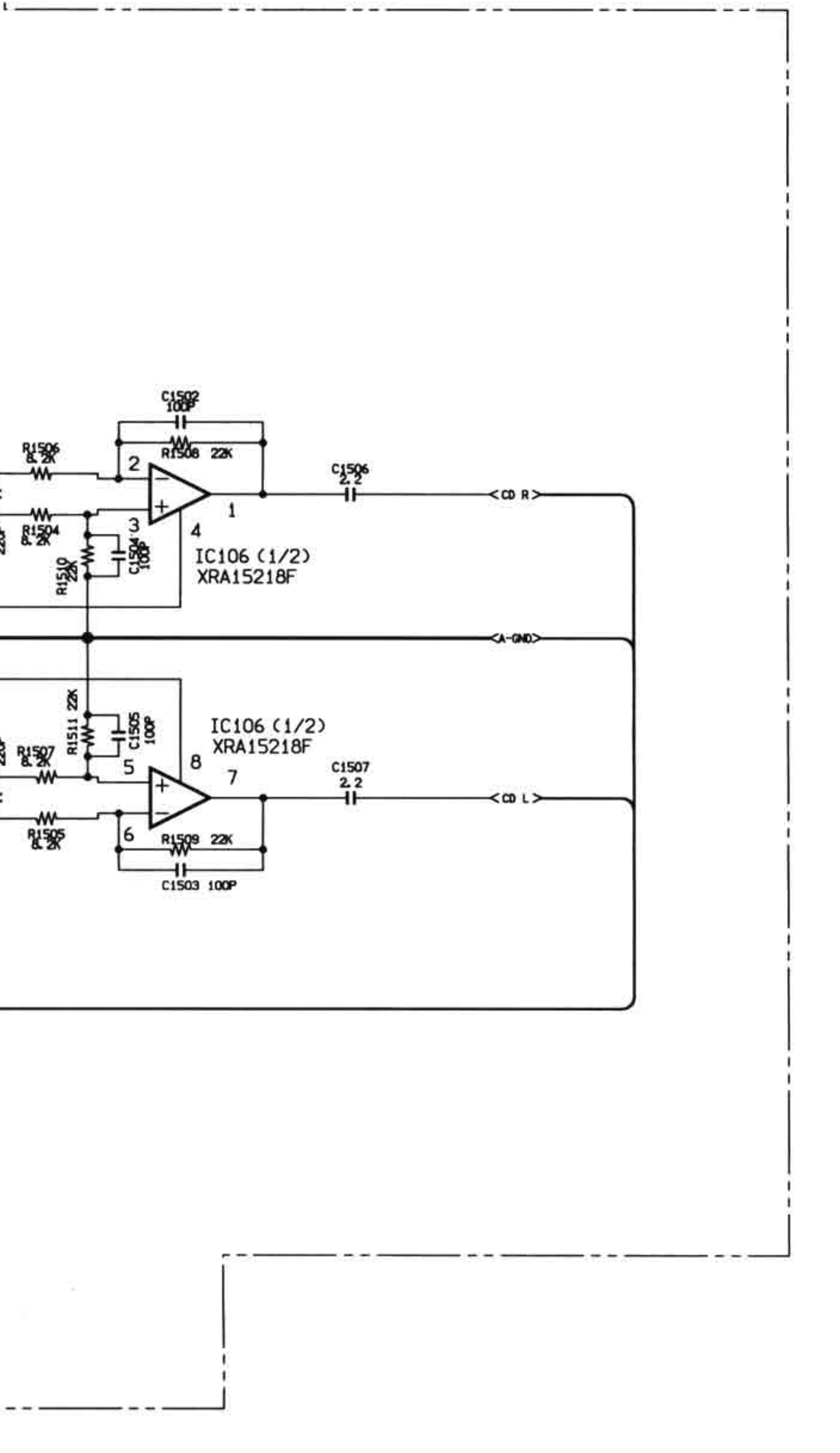
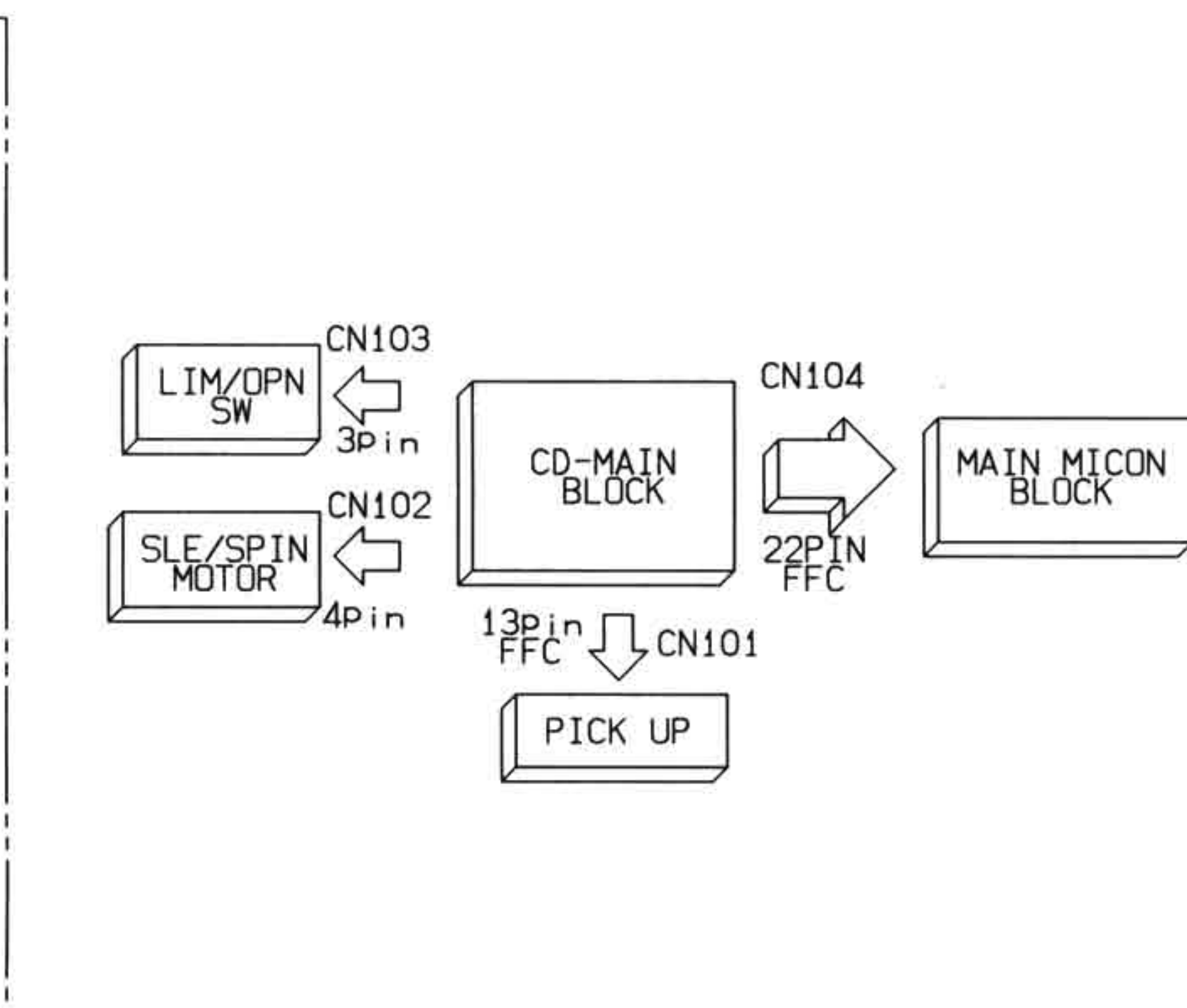
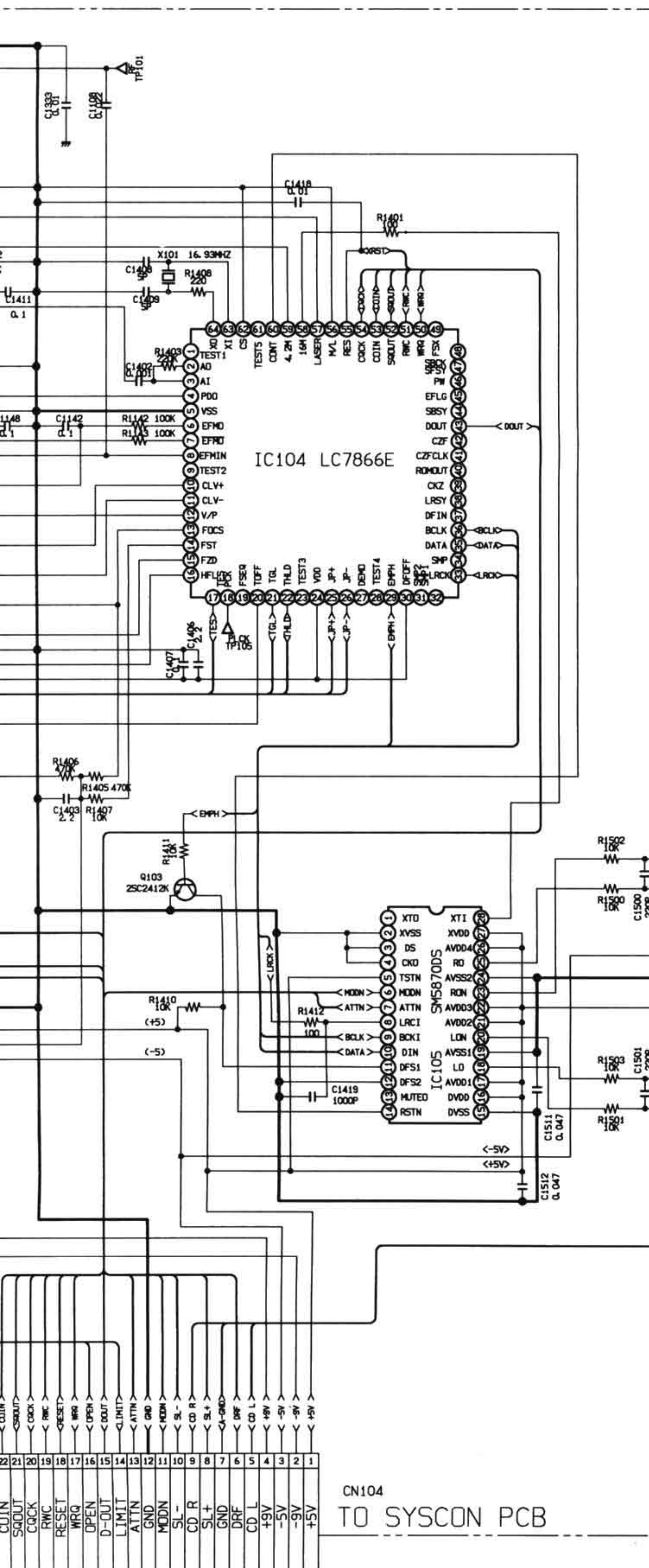




# SCHEMATIC DIAGRAM (CD MAIN)





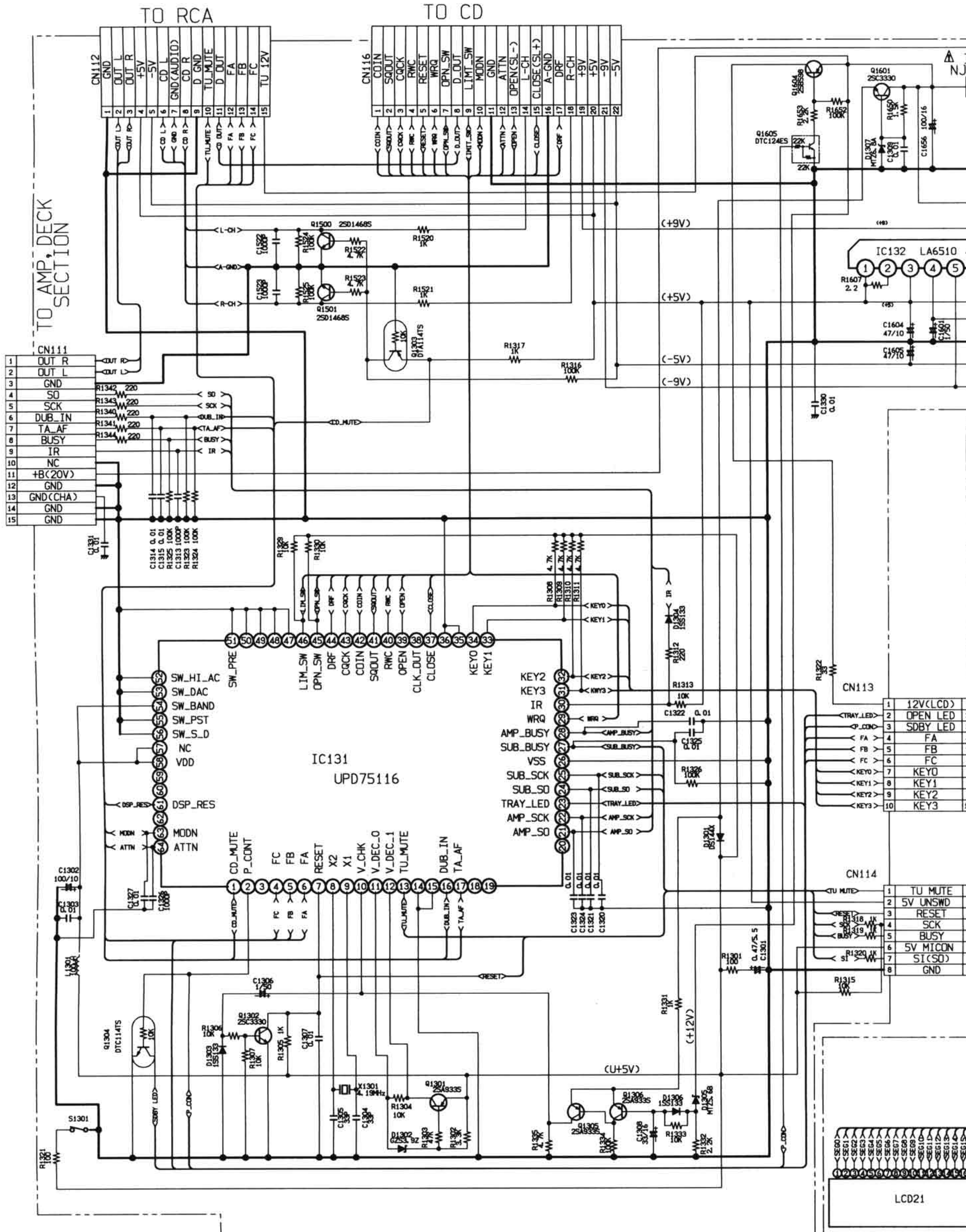


Pin	Signal
21	COIN
20	SQUOT
19	COCK
18	RWC
17	RESET
16	WRQ
15	OPEN
14	D-OUT
13	LIMIT
12	ATTN
11	GND
10	MODN
9	SL-
8	SL+
7	CA-GND
6	DRF
5	CD L
4	CD R
3	+9V
2	-5V
1	+5V

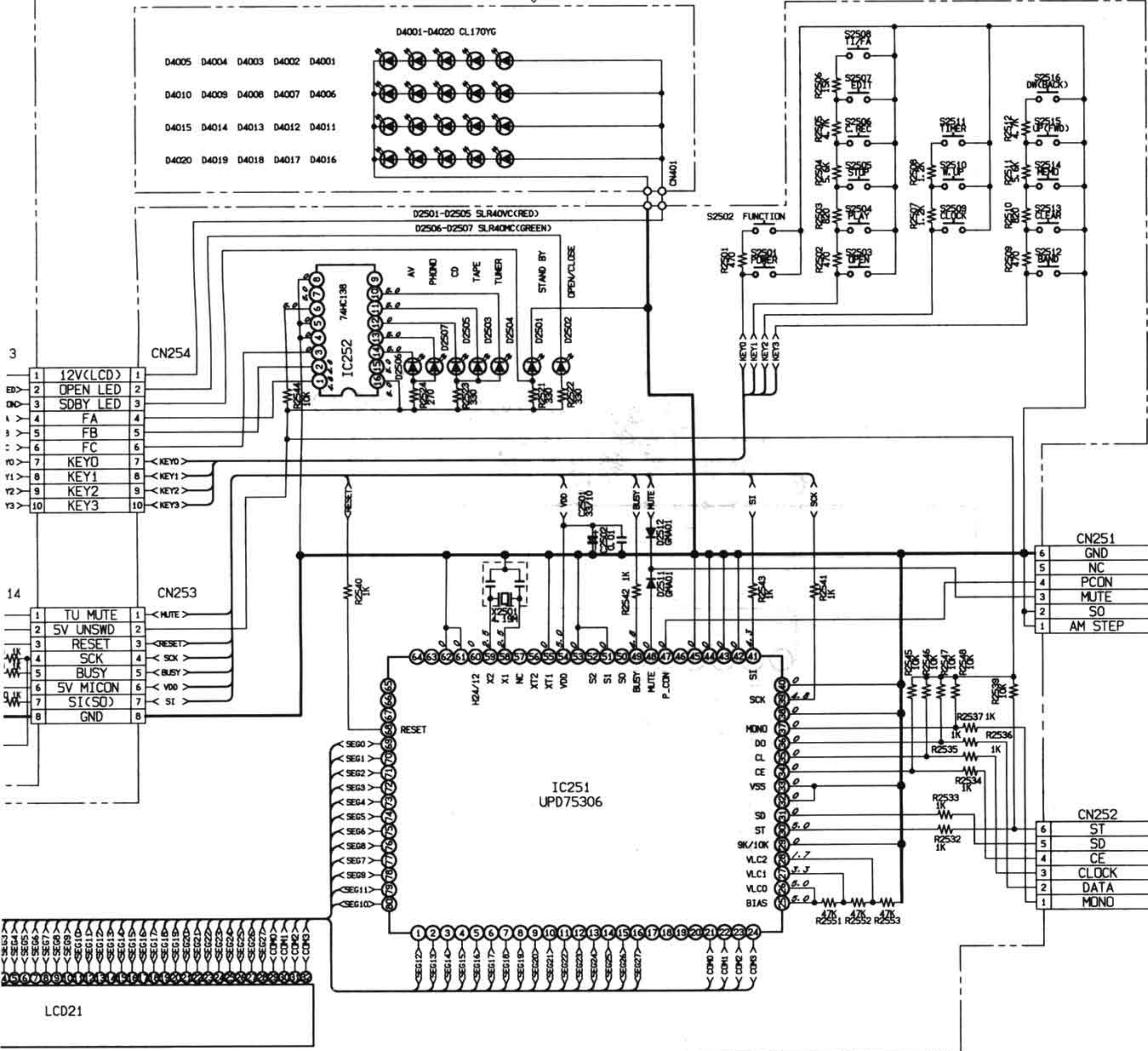
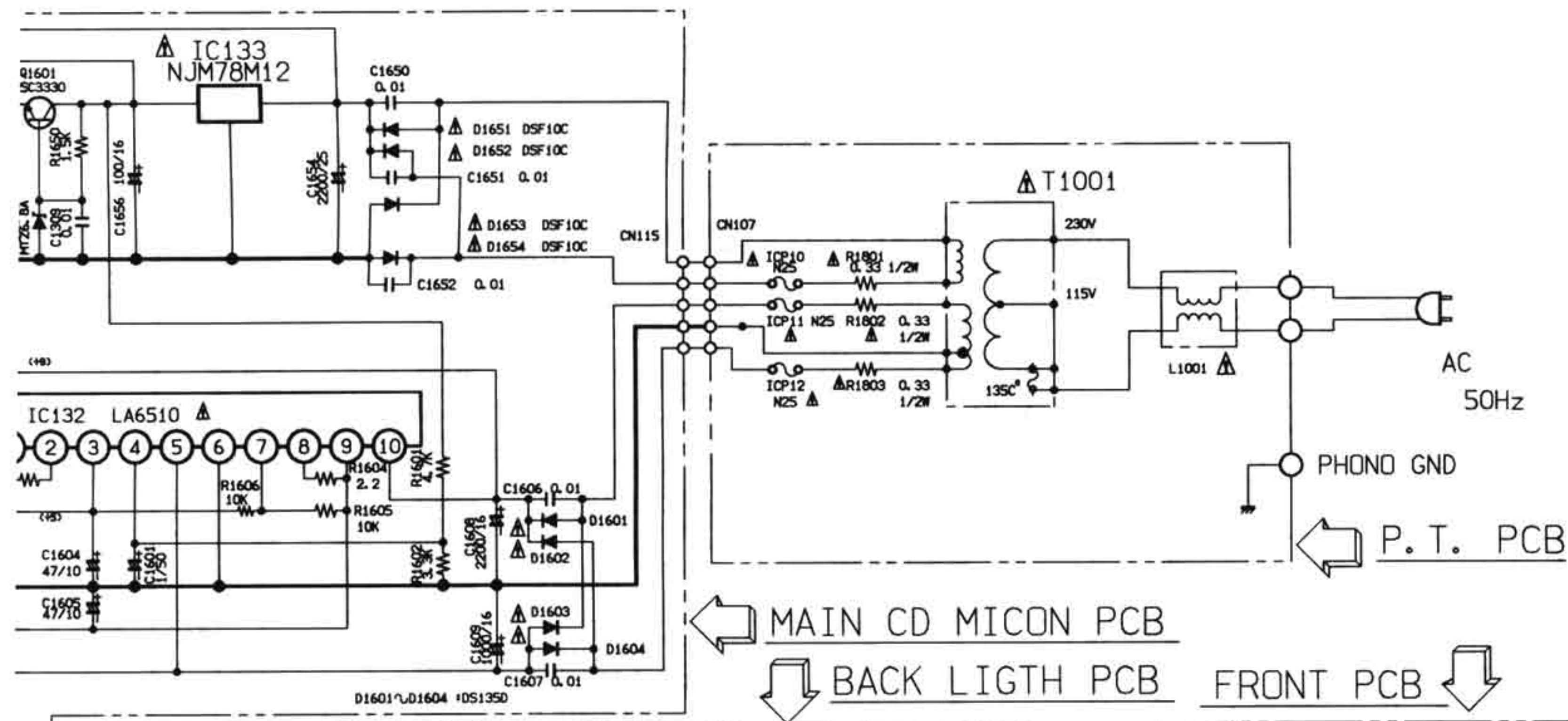
CN104  
TO SYSCON PCB



# SCHEMATIC DIAGRAM (SYSCON & FRONT)

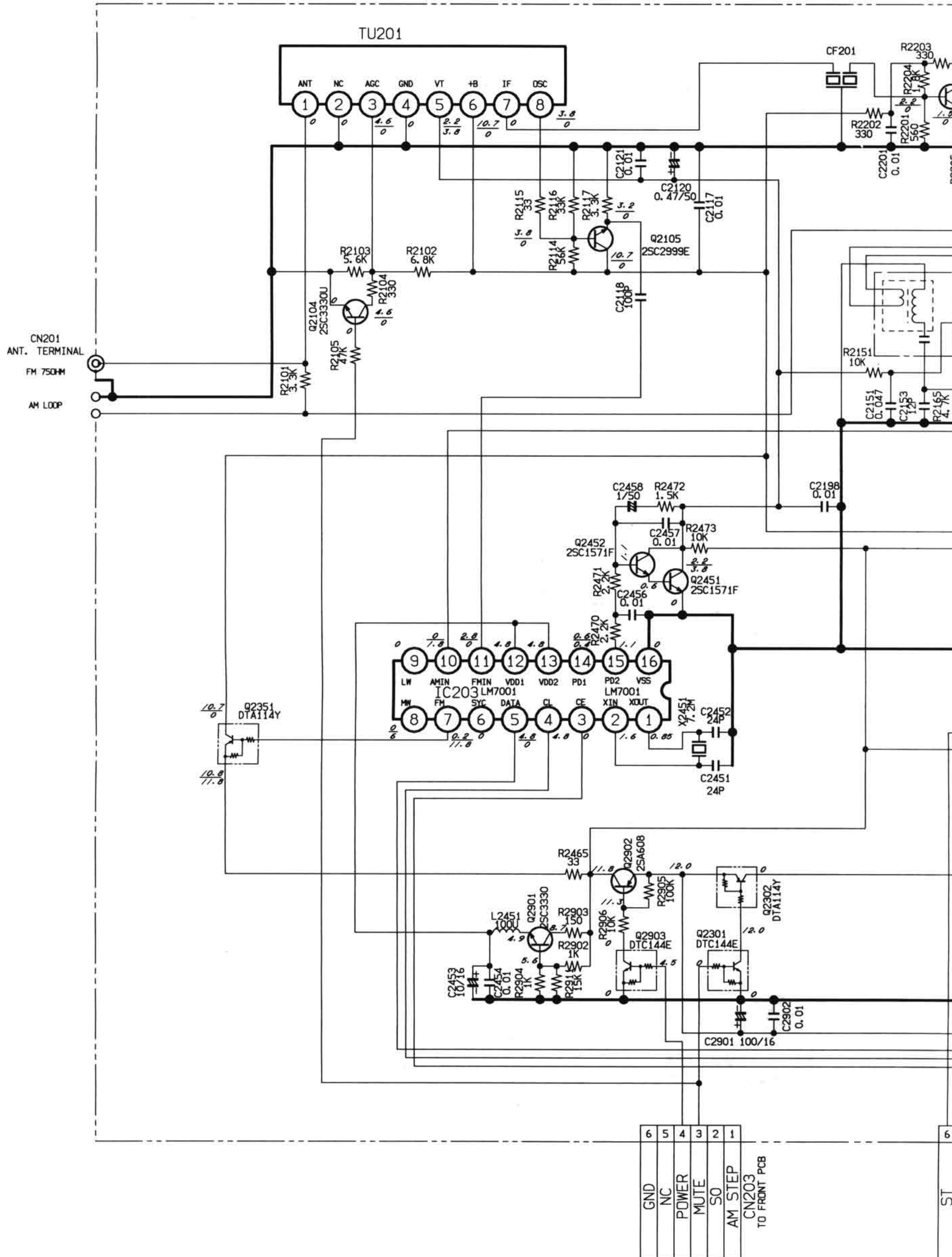






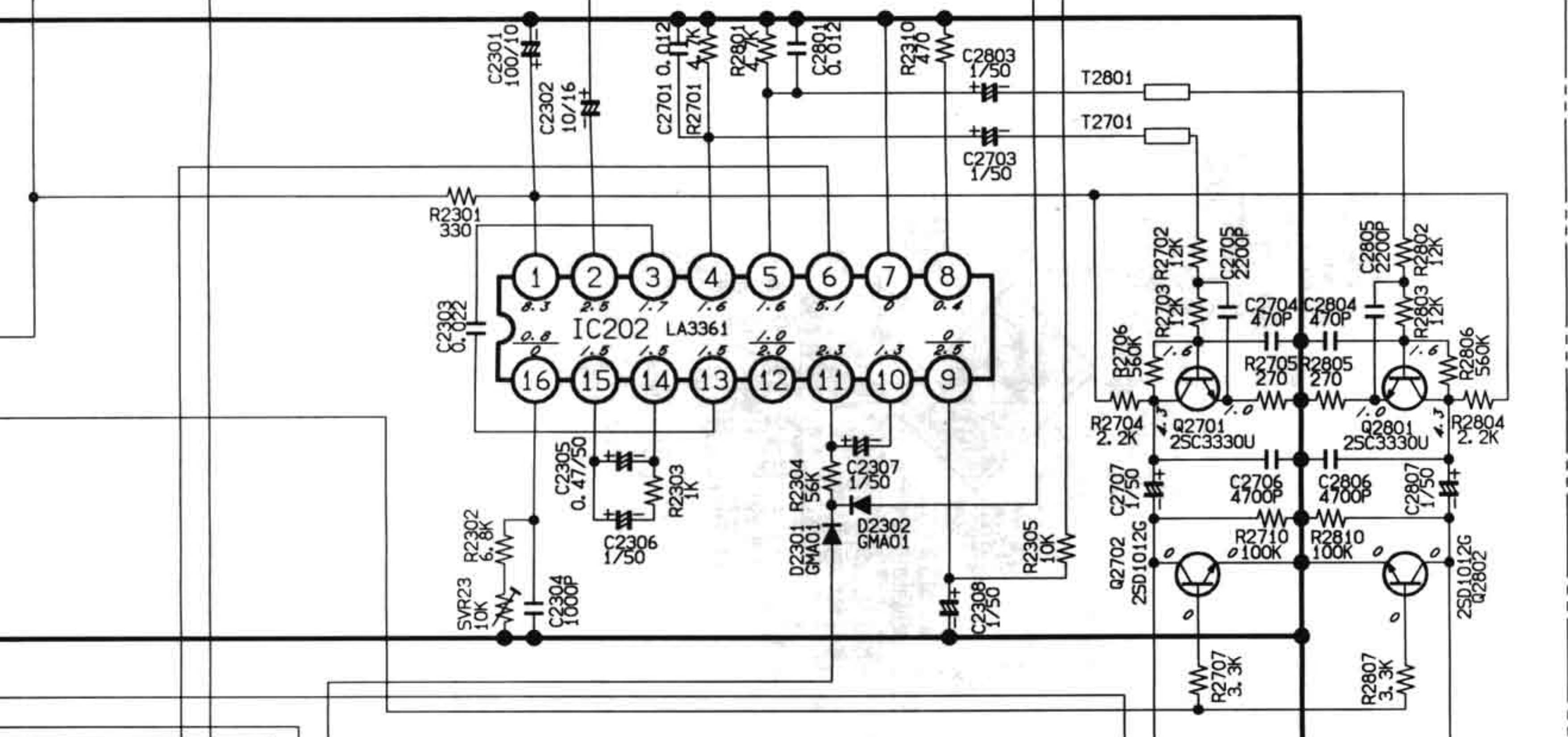
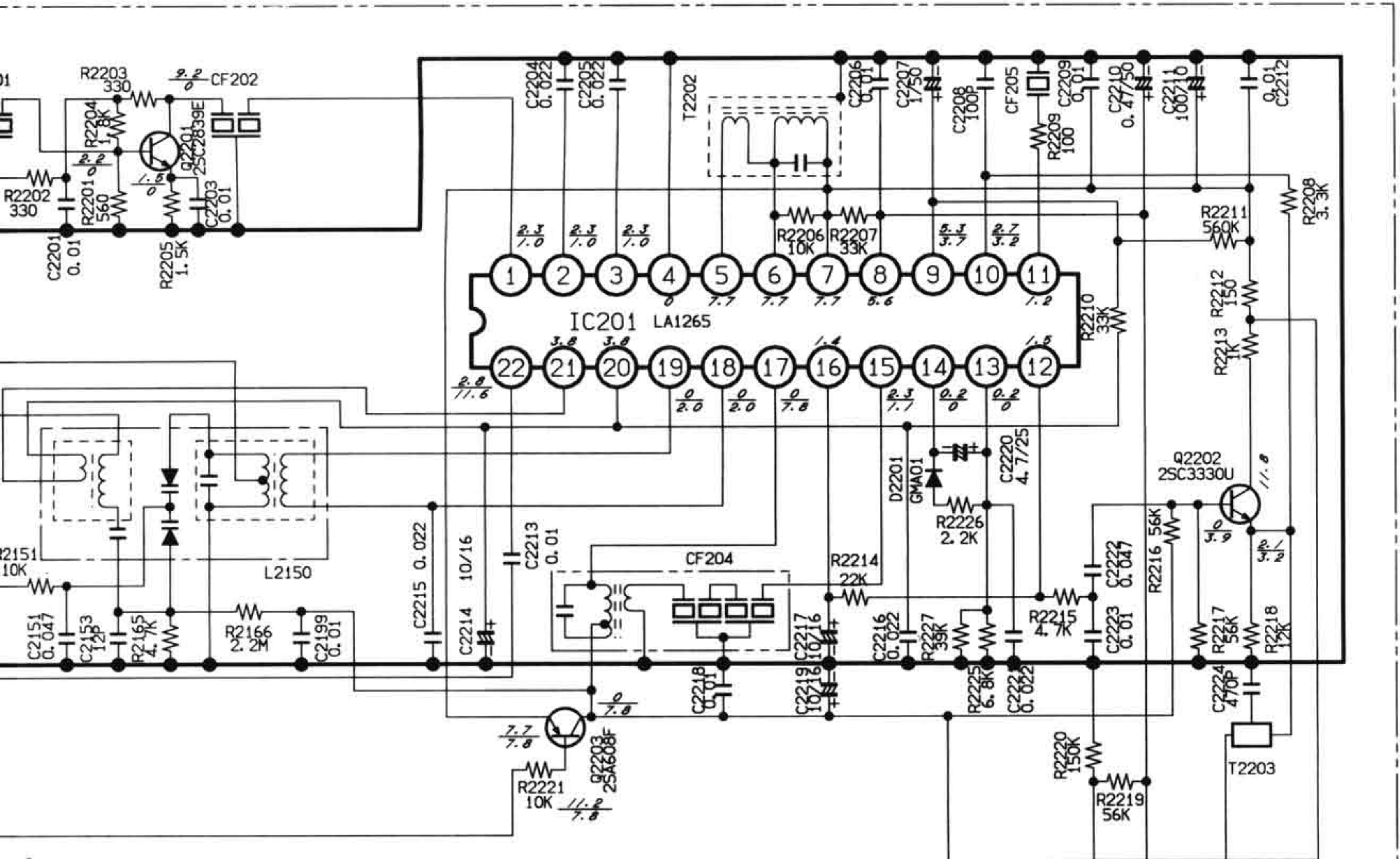


# SCHEMATIC DIAGRAM (TUNER)

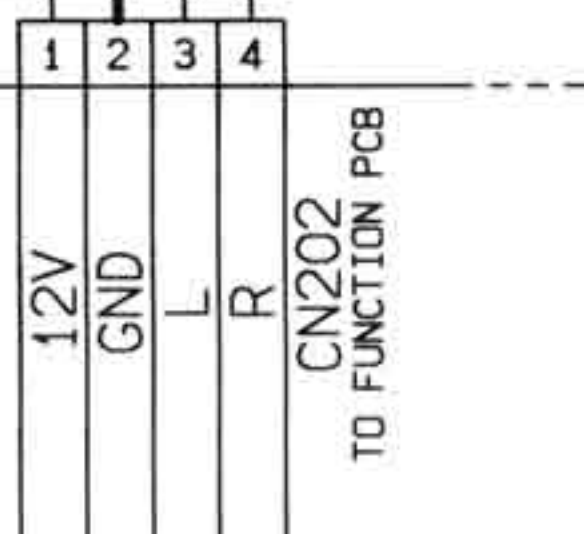
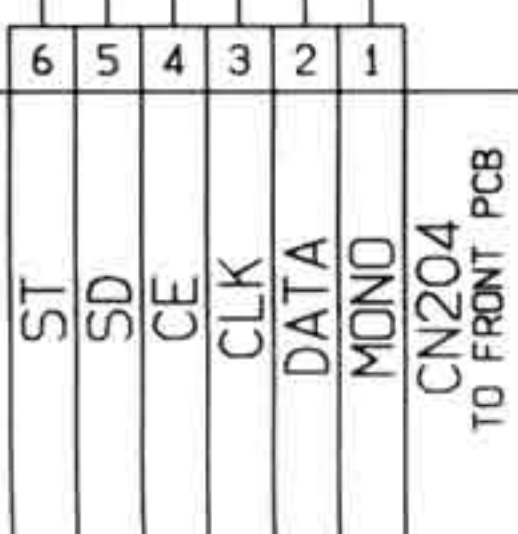


6	5	4	3	2	1
GND	NC	POWER	MUTE	SO	AM STEP
CN203 TO FRONT PCB					



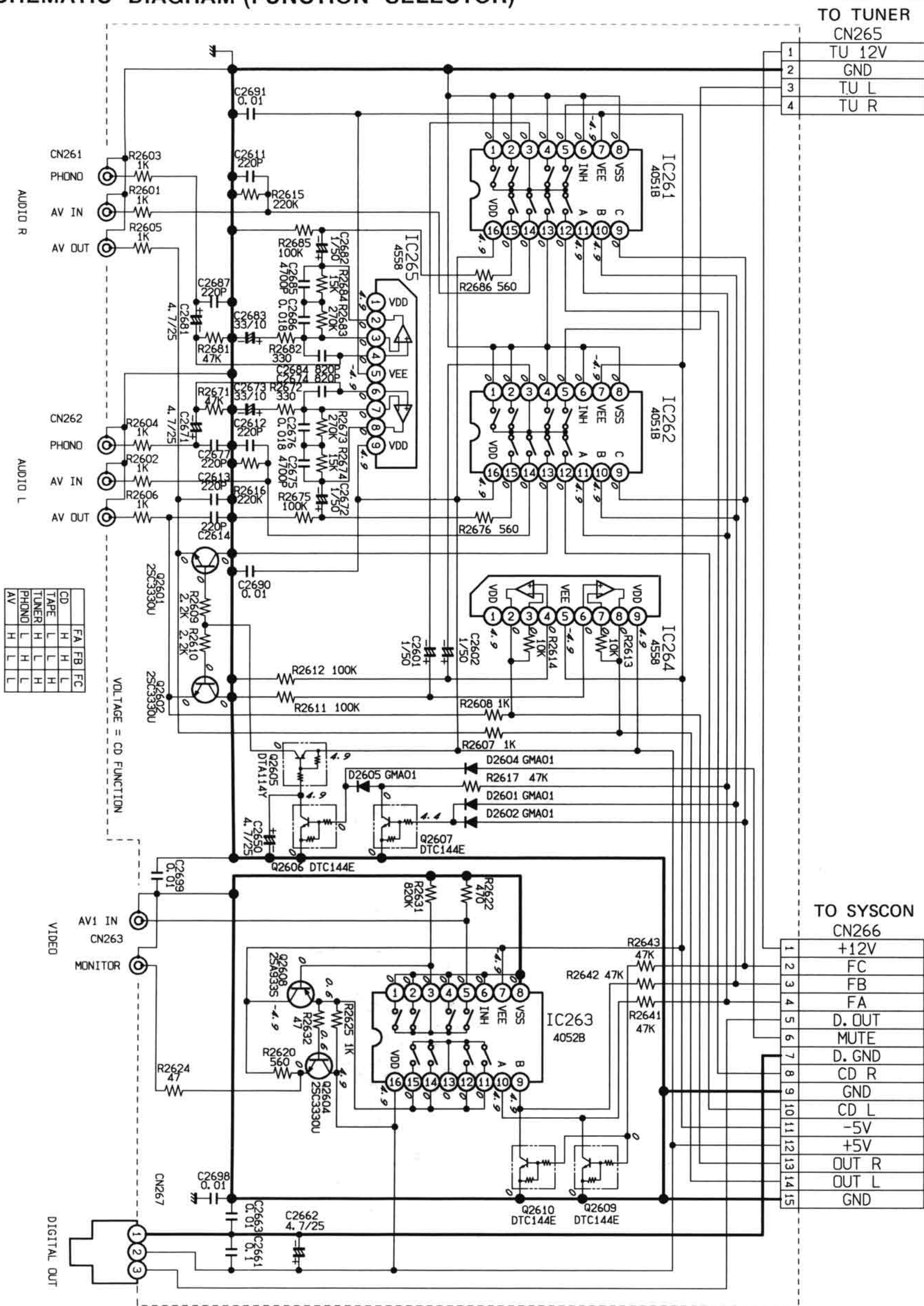


VOLTAGE = FM 80MHZ  
AM 999KHZ





# SCHEMATIC DIAGRAM (FUNCTION SELECTOR)



**TO TUNER**  
CN265

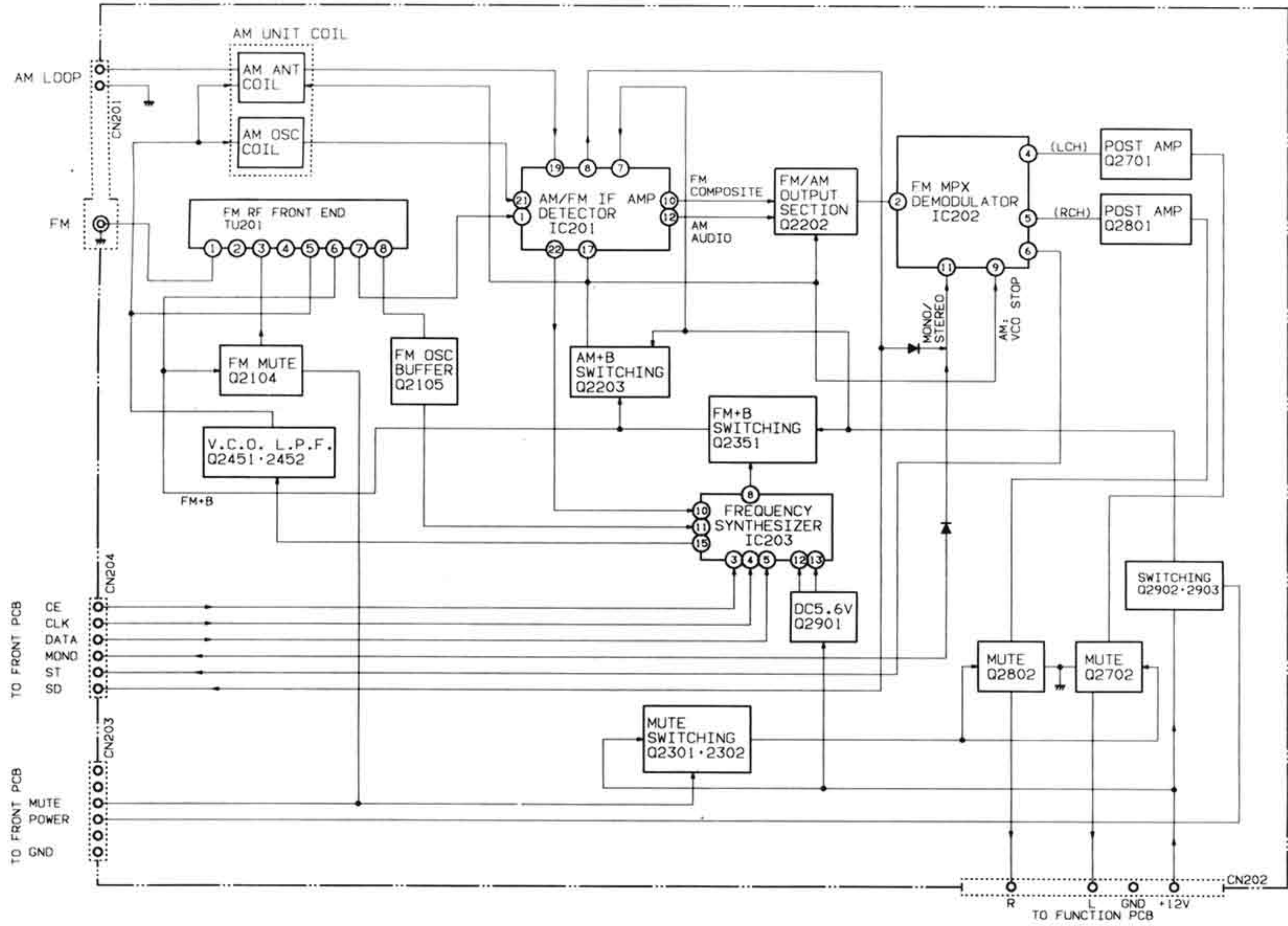
1	TU 12V
2	GND
3	TU L
4	TU R

**TO SYCON**  
CN266

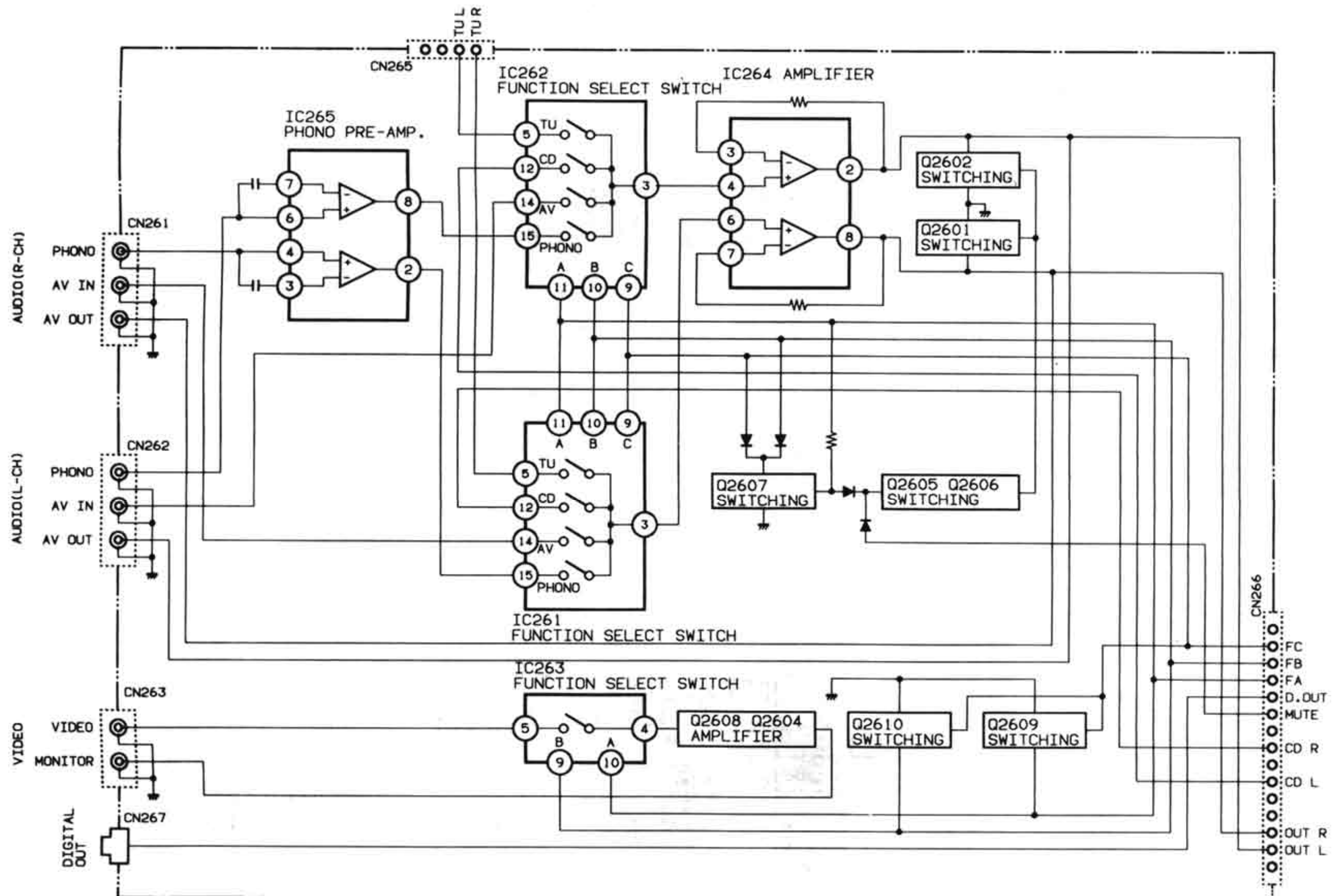
1	+12V
2	FC
3	FB
4	FA
5	D. OUT
6	MUTE
7	D. GND
8	CD R
9	GND
10	CD L
11	-5V
12	+5V
13	OUT R
14	OUT L
15	GND



# BLOCK DIAGRAM (TUNER)

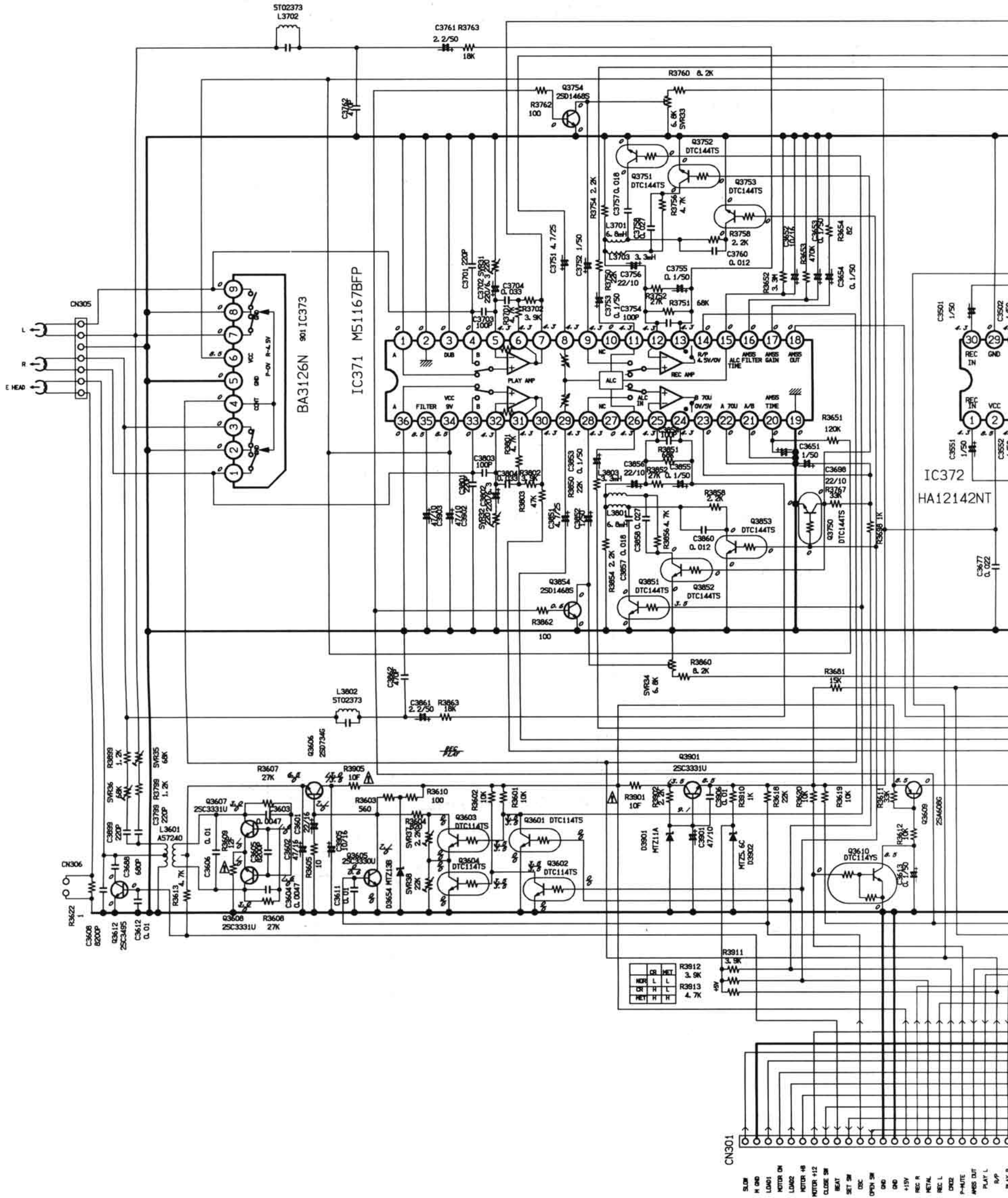


# BLOCK DIAGRAM (FUNCTION SELECTOR)

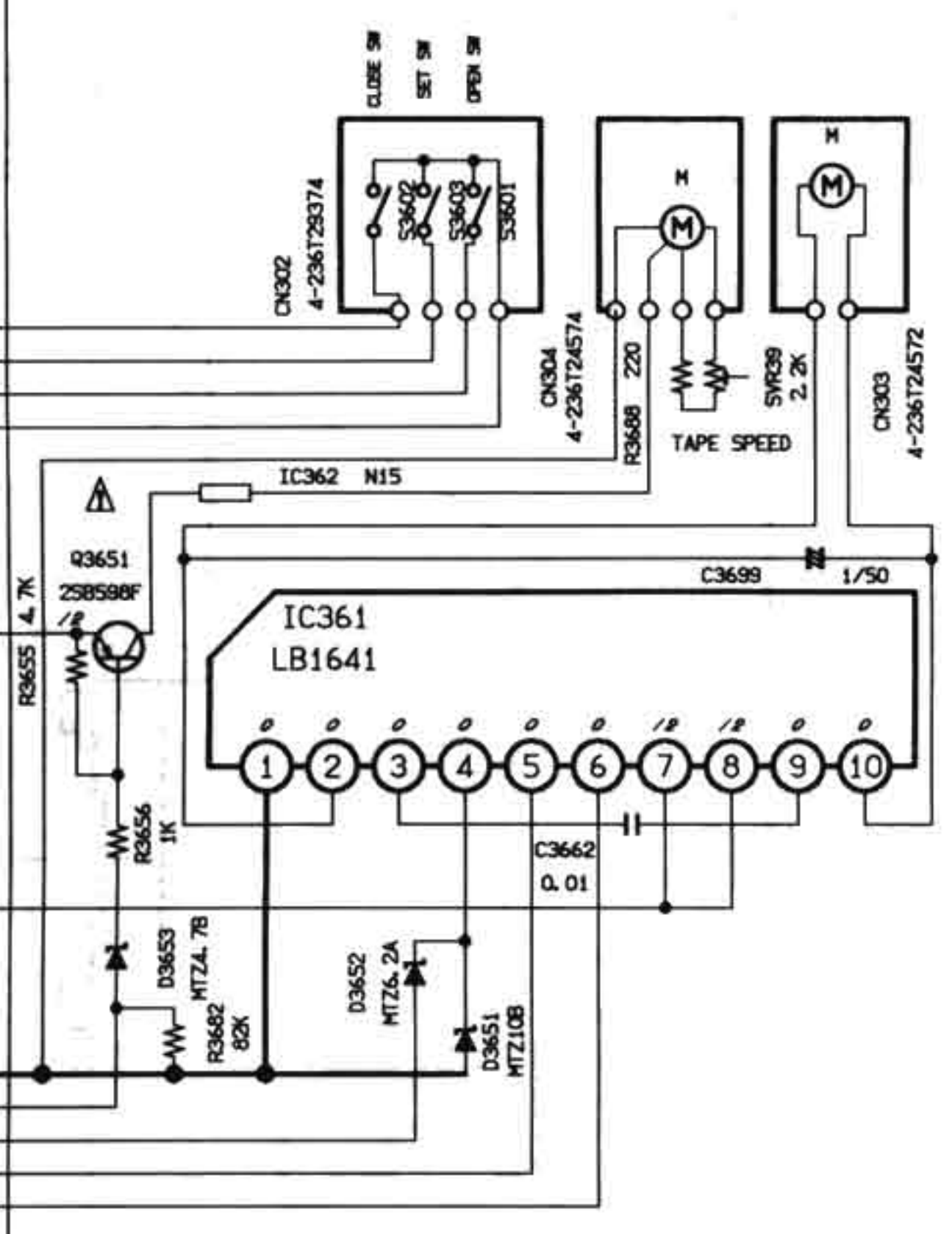
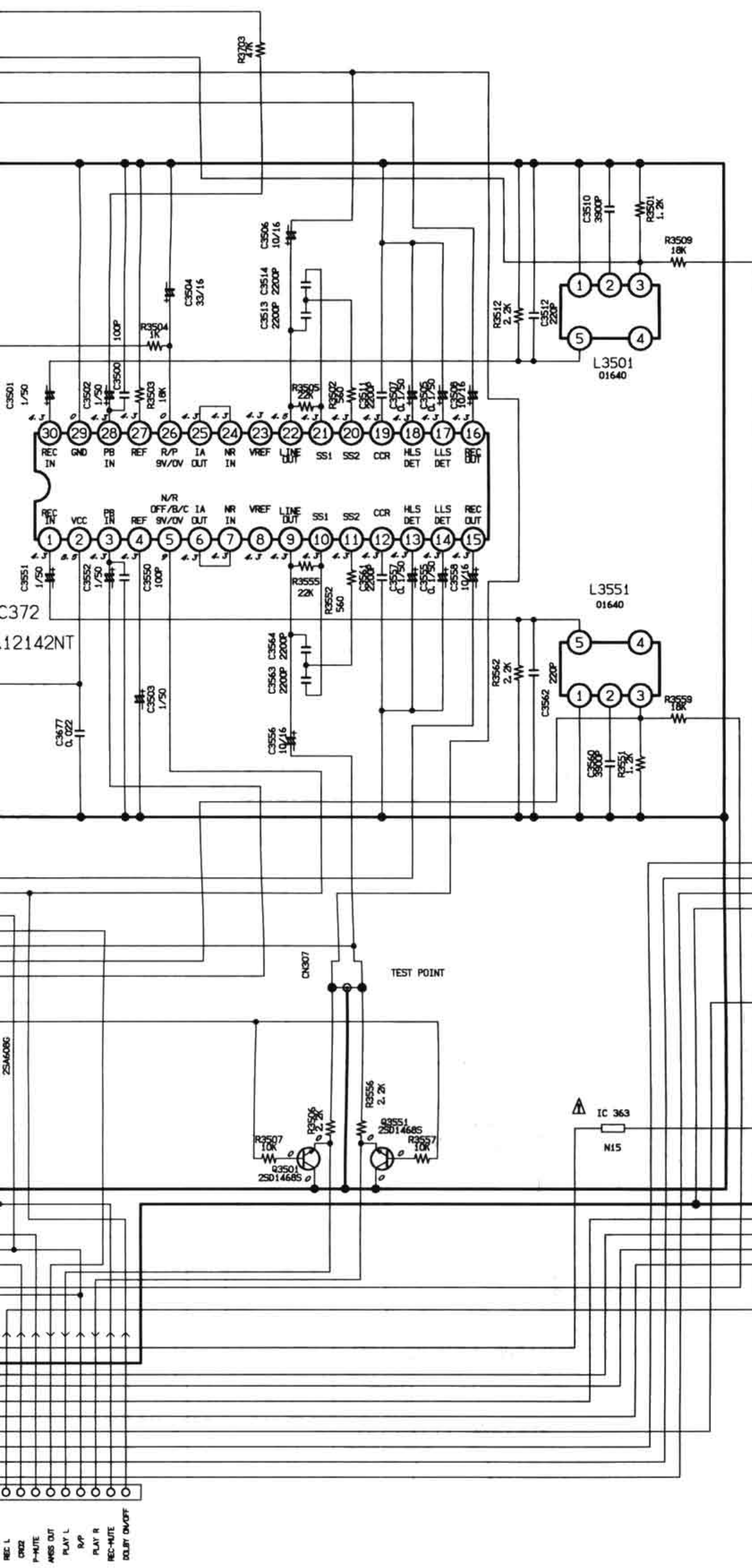




# SCHEMATIC DIAGRAM (TAPE DECK AMPLIFIER)



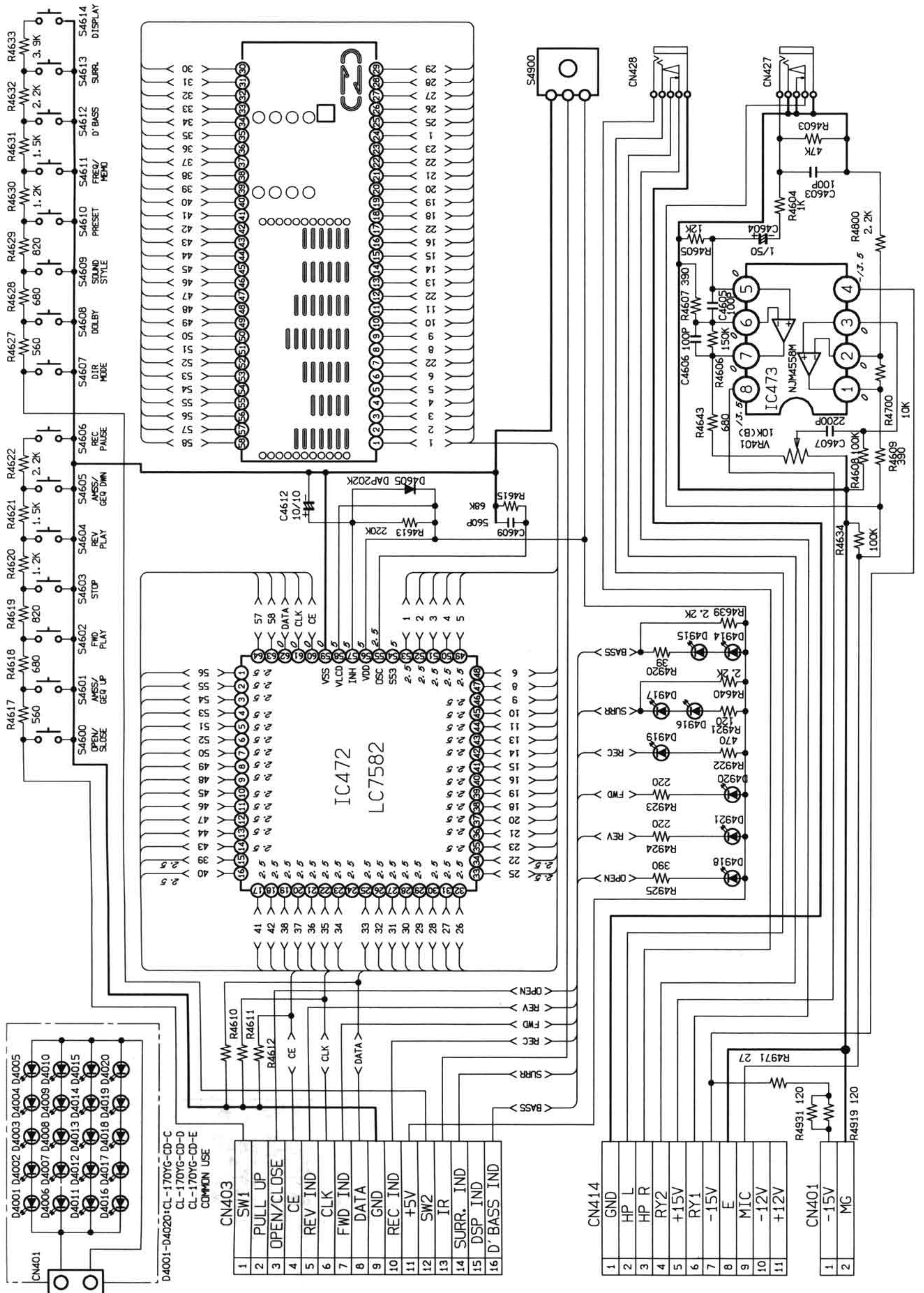




- REC L
- CRDZ
- P-MUTE
- ANS OUT
- PLAY L
- R/P
- PLAY R
- REC-MUTE
- DOLBY ON/OFF



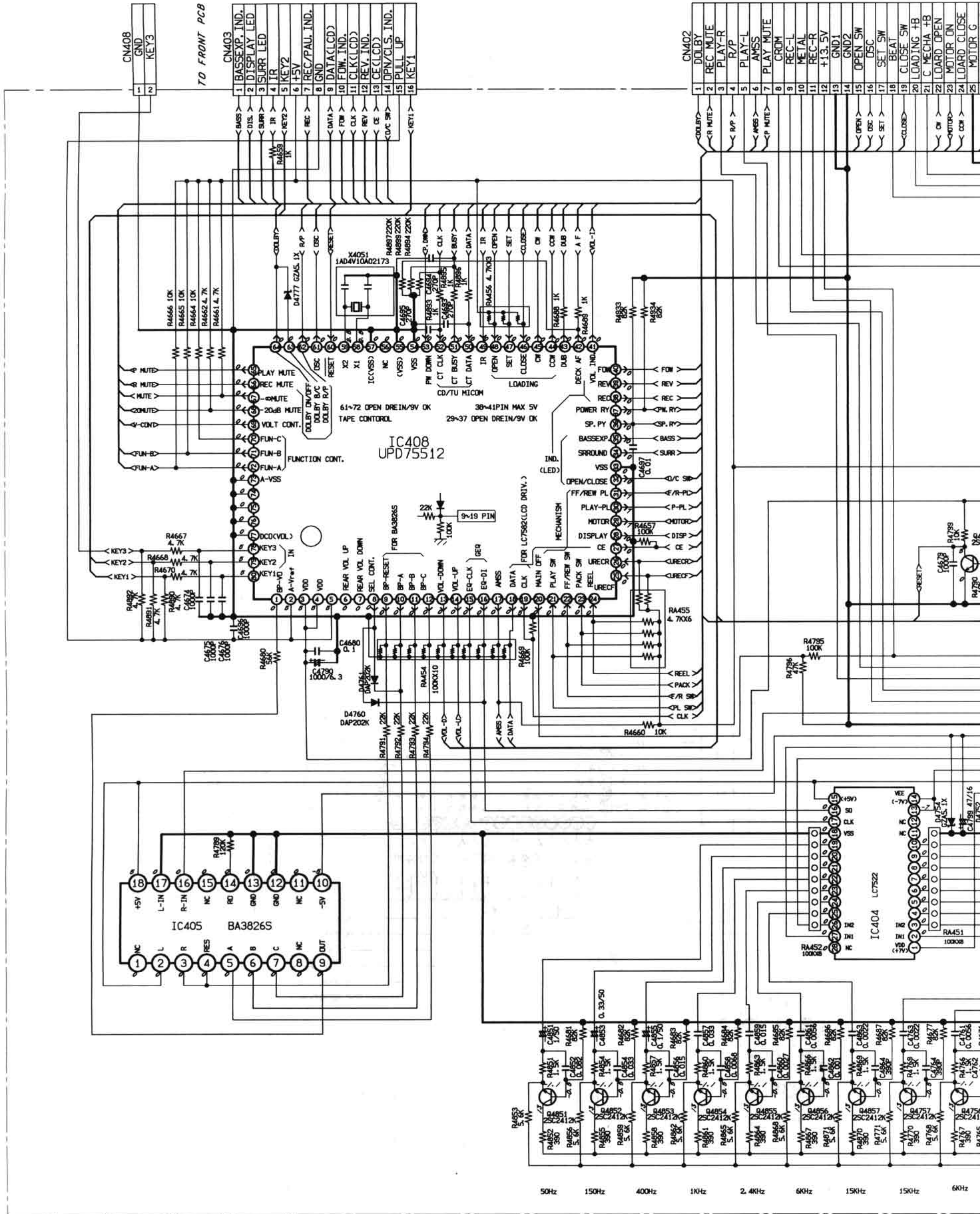
# SCHEMATIC DIAGRAM (FRONT)



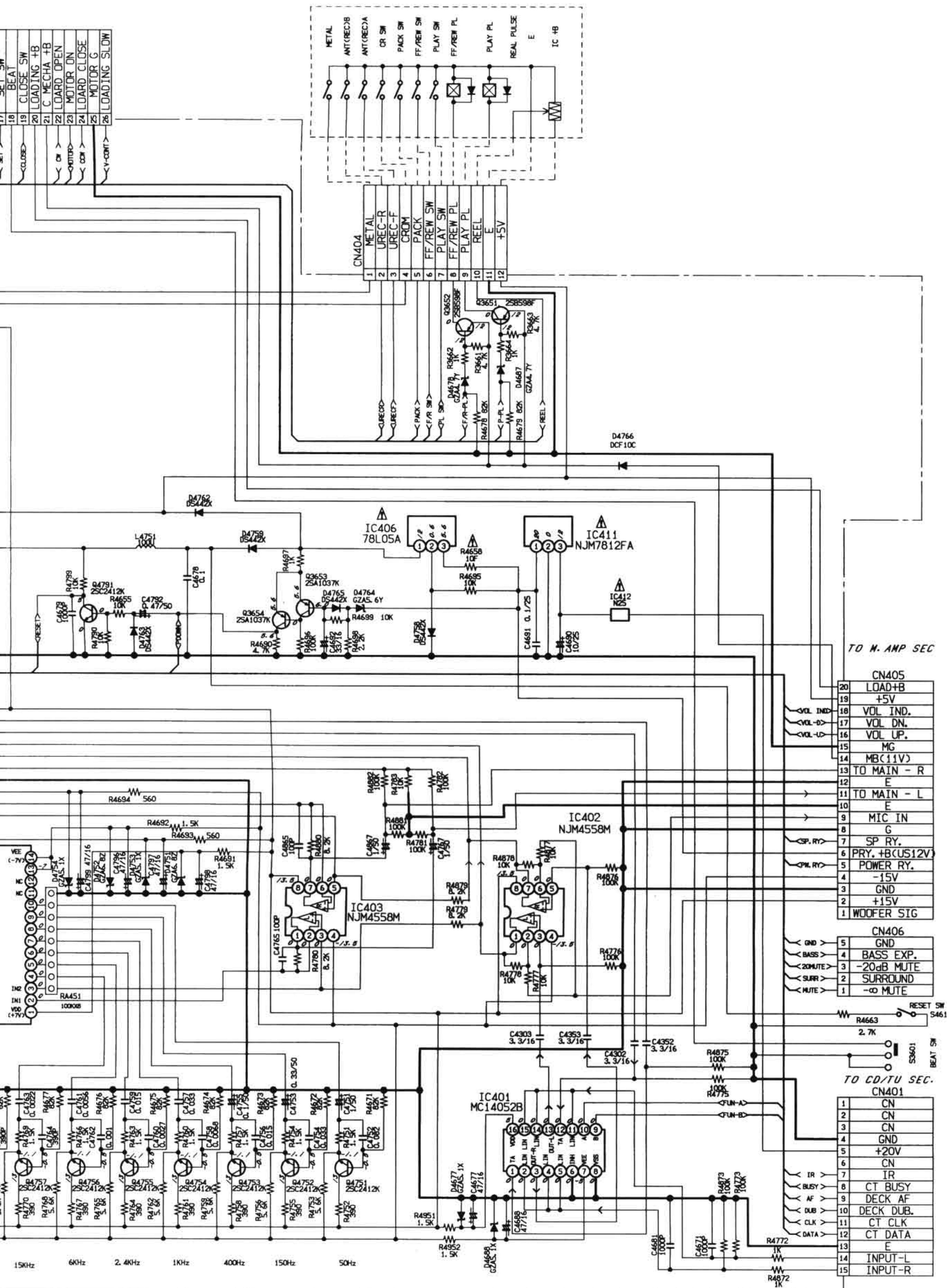


# SCHEMATIC DIAGRAM (SYSCON)

TO DECK PCB







TO M. AMP SEC

CN405	
20	LOAD+B
19	+5V
18	VOL IND.
17	VOL DN.
16	VOL UP.
15	MG
14	MB(11V)
13	TO MAIN - R
12	E
11	TO MAIN - L
10	E
9	MIC IN
8	G
7	SP. RY.
6	PH. RY.
5	POWER RY.
4	-15V
3	GND
2	+15V
1	WOOFER SIG

CN406	
5	GND
4	BASS EXP.
3	-20dB MUTE
2	SURROUND
1	-∞ MUTE

RESET SW	S461
2.7K	R4663
BEAT SW	S360

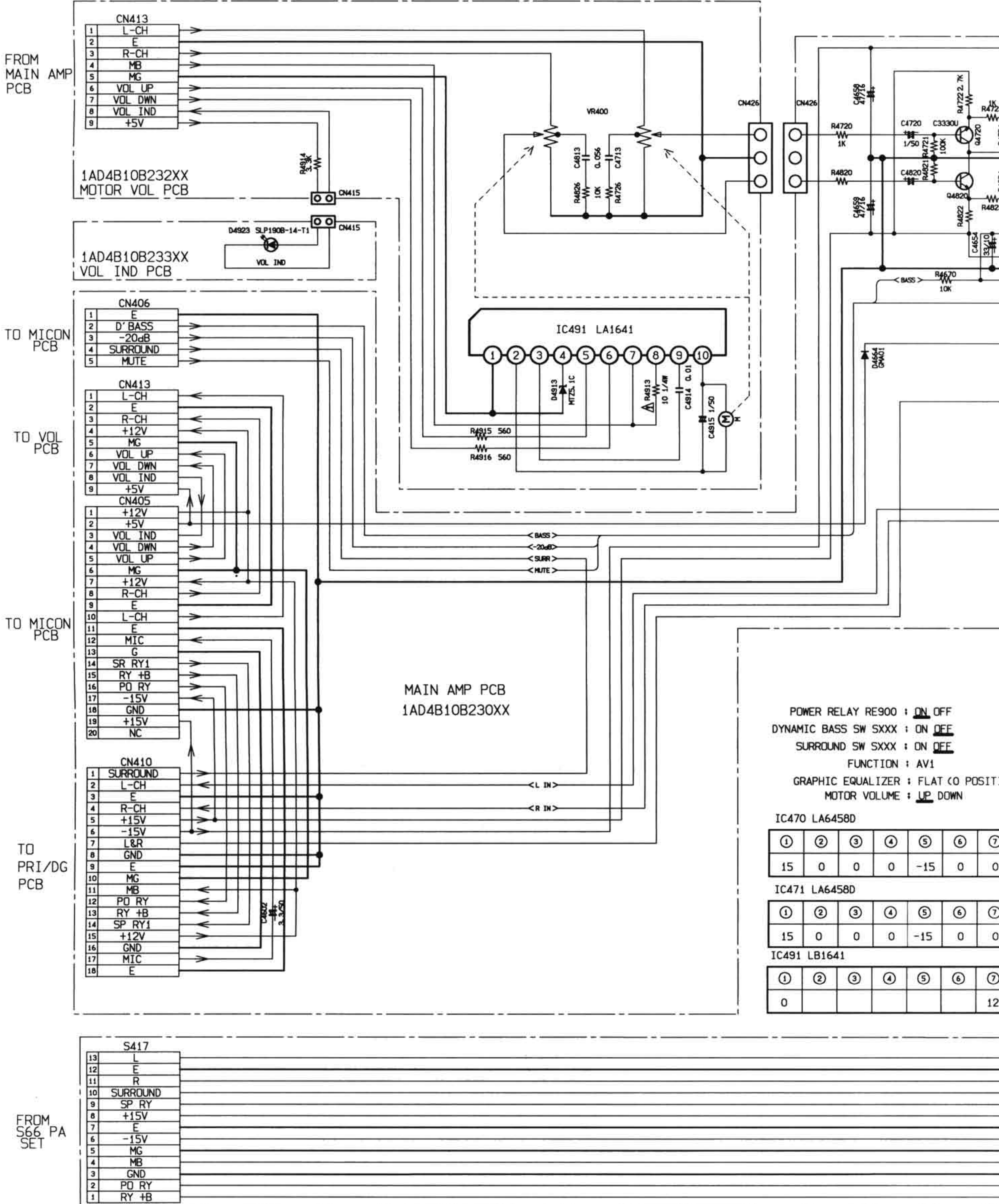
TO CD/TU SEC.

CN401	
1	CN
2	CN
3	CN
4	GND
5	+20V
6	CN
7	IR
8	CT BUSY
9	DECK AF
10	DECK DUB.
11	CT CLK
12	CT DATA
13	E
14	INPUT-L
15	INPUT-R

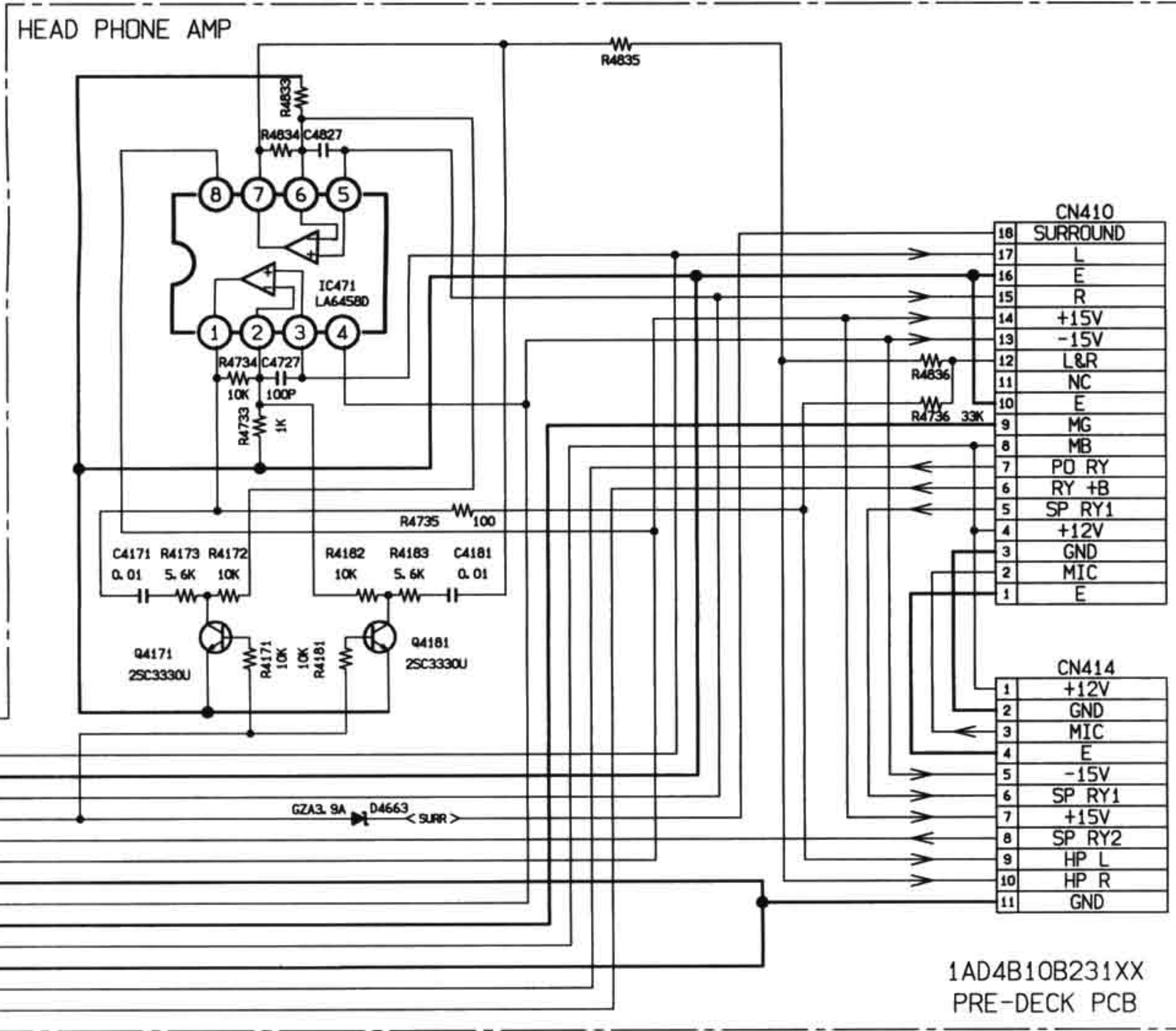
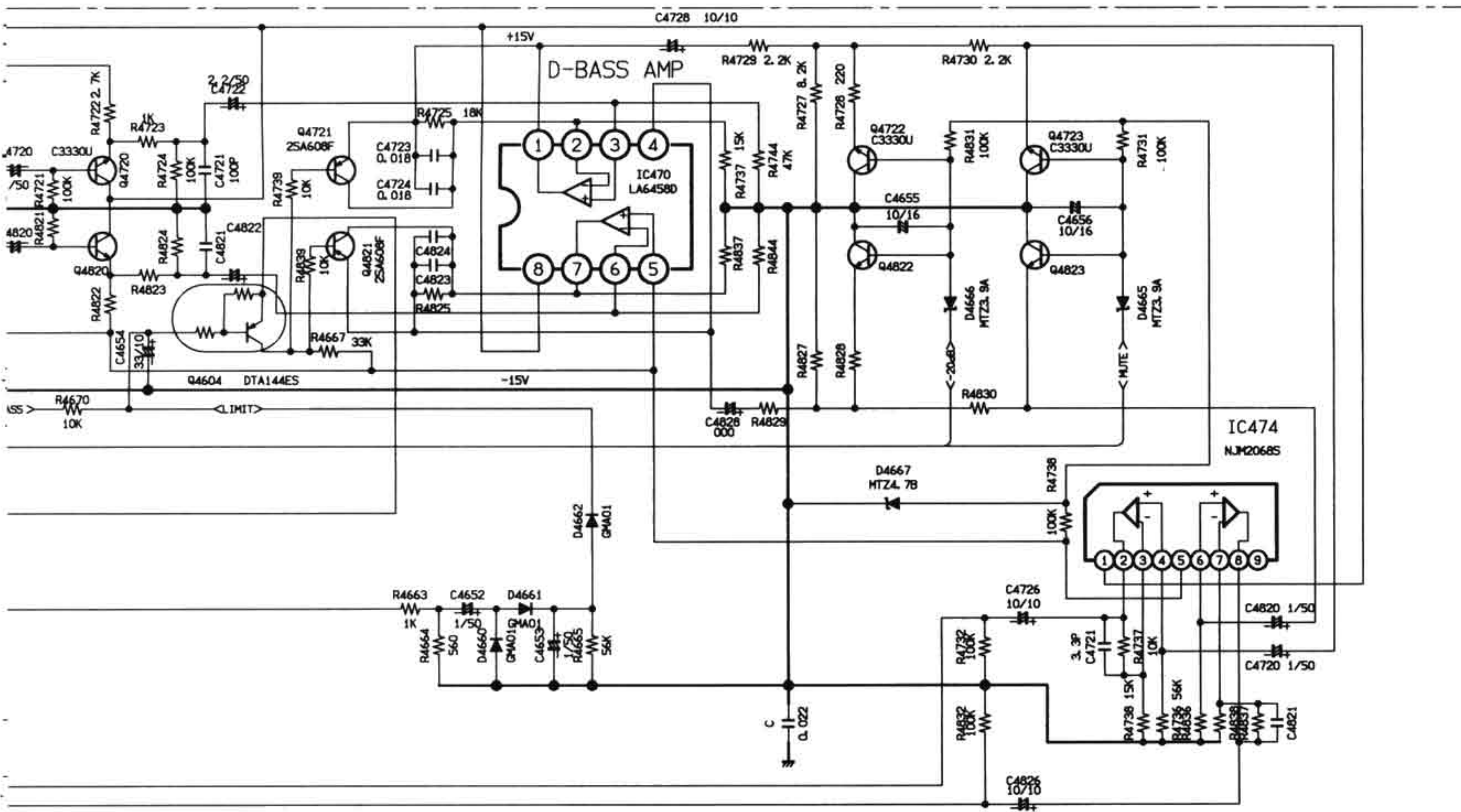
150Hz 6kHz 2.4kHz 1kHz 400Hz 150Hz 50Hz



# SCHEMATIC DIAGRAM (PRE & MAIN AMPLIFIER)







- ON OFF
- ON DEF
- ON DEF
- AV1
- FLAT (O POSITION)
- UP DOWN

5	6	7	8
-15	0	0	0

5	6	7	8
-15	0	0	0

5	6	7	8	9	10
		12	12		

CN410	
18	SURROUND
17	L
16	E
15	R
14	+15V
13	-15V
12	L&R
11	NC
10	E
9	MG
8	MB
7	PD RY
6	RY +B
5	SP RY1
4	+12V
3	GND
2	MIC
1	E

CN414	
1	+12V
2	GND
3	MIC
4	E
5	-15V
6	SP RY1
7	+15V
8	SP RY2
9	HP L
10	HP R
11	GND

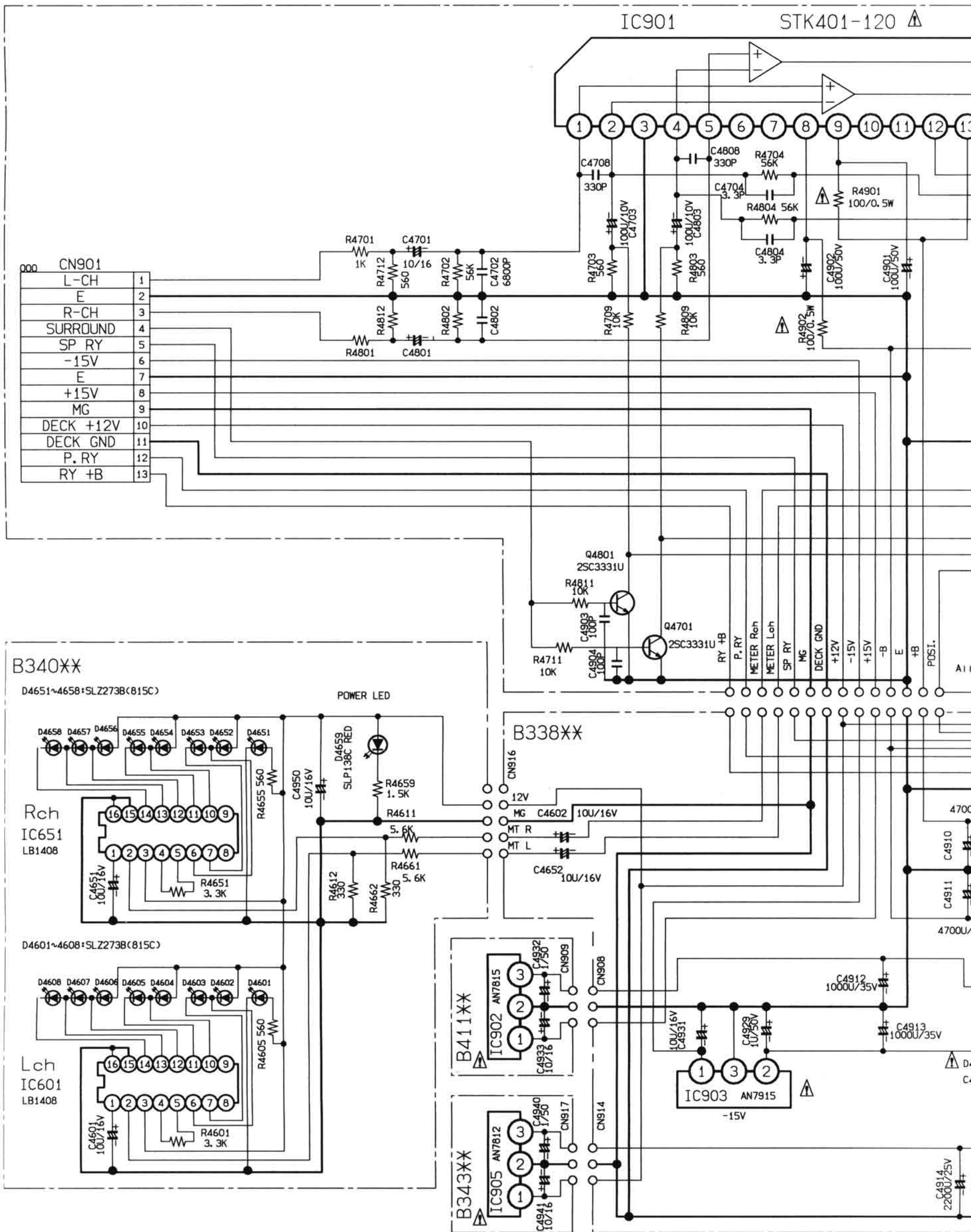
TO MAIN AMP PCB

TO FRONT PCB

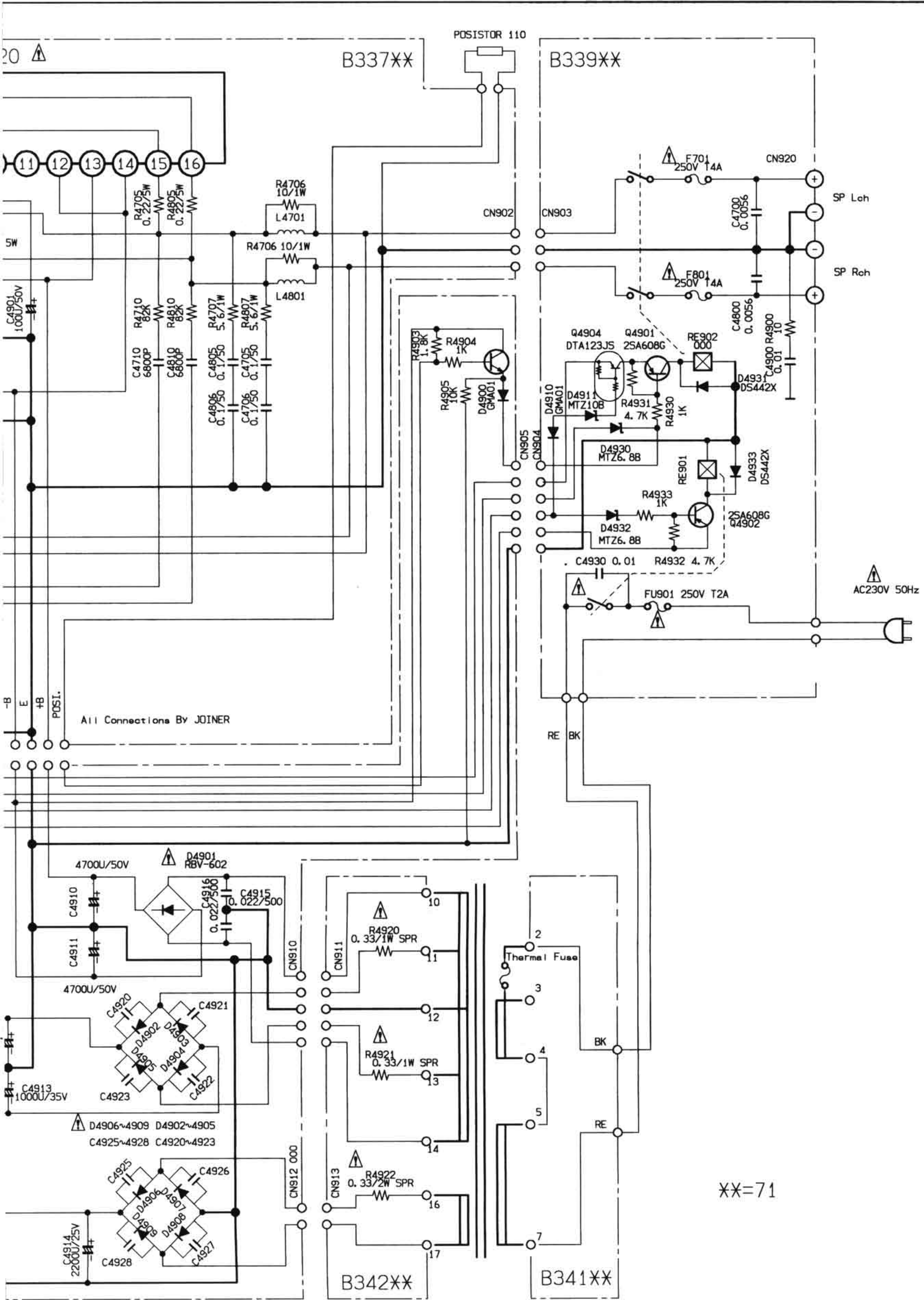
1AD4B10B231XX  
PRE-DECK PCB



# SCHEMATIC DIAGRAM (POWER AMPLIFIER)







All Connections By JOINER

XX=71

B342XX

B341XX

POSISTOR 110

B337XX

B339XX

SP Loh

SP Roh

AC230V 50Hz

RE BK

